

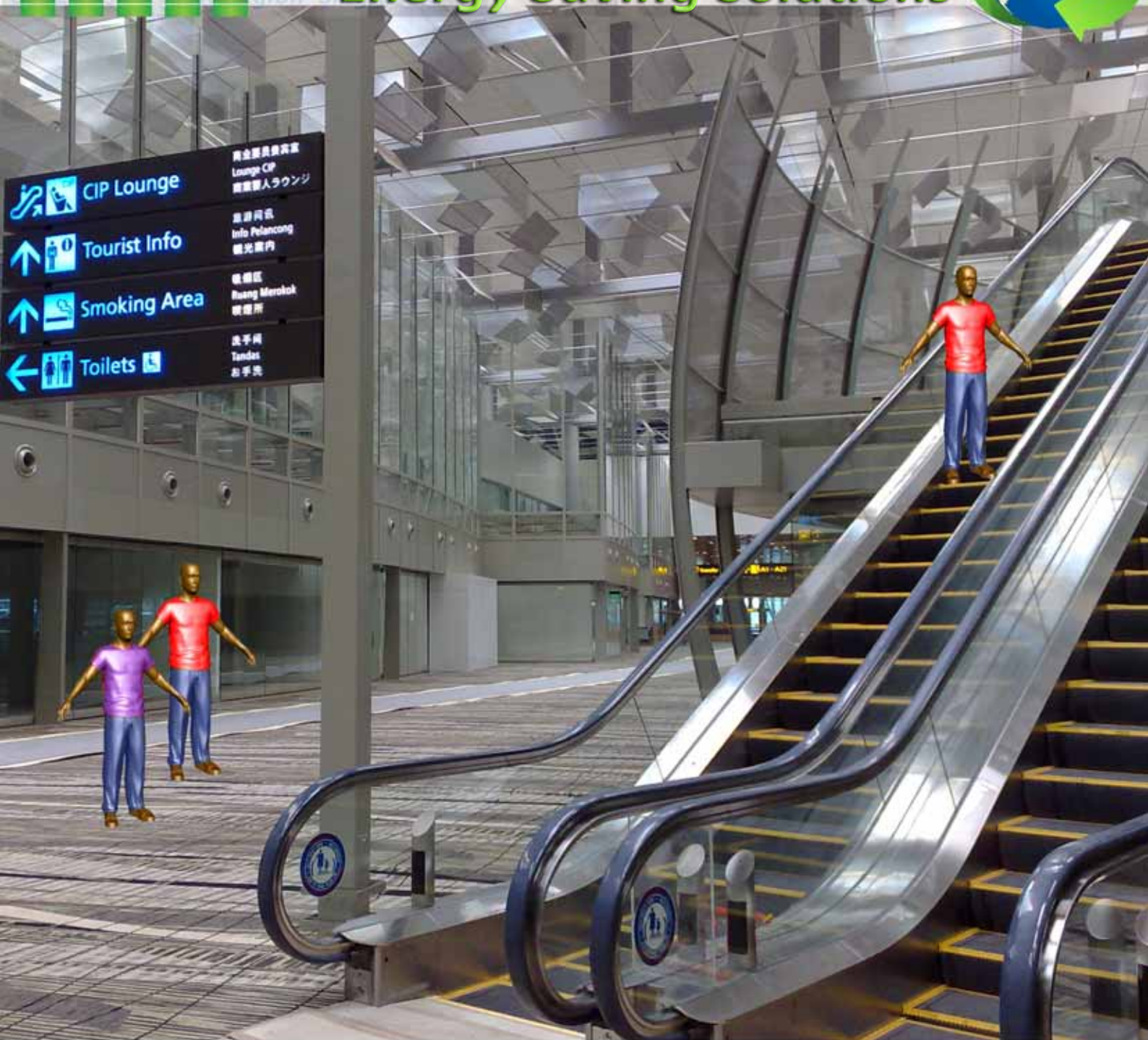
CEDES

More than you expect!

Escalator Auto Start & Stop Sensor Solutions



Energy Saving Solutions



CEDES PTE LTD

Asia Pacific Region

996 Bendemeer Rd. #07-05 Singapore 339944

E-mail: cedes@pacific.net.sg

CEDES PTE LTD

Taiwan representative Office

Unit 2, 8th Floor, No.190, Wuquan Rd.,

North Dist., Taichung City 40446, Taiwan

Email: cedes.tw@cedes.com.tw



Escalator Auto Start & Stop Sensor Solutions

Energy Saving Solutions





CEDES presence sensor is operated with invisible infrared light. If there is an object in the field of view of the sensor, part of the light from the emitter is scattered back to the receiver. The Cedes presence sensor is housed in a stainless steel housing which will be used to detect the presence of person, trolleys in front of the Escalator or Auto walk.

Lift company use Cedes presence sensor relay output to activate their Escalator Auto Start & Stop control.

Currently in the market, in general Lift Company adopts two options.

Option I.

Use Cedes presence sensor relay output to stop their Escalator completely after a predetermine time (eg. 5 minutes or 10 minutes after sensor detect no person enter the escalator). This predetermine time is depends on their traffic condition in each individual site. When there is person presence, escalator starts immediately.

Option II.

Use Cedes presence sensor relay output to trigger their escalator to slow speed travel mode after a predetermine time, when no person enter the escalator. When there is person presence, escalator back to fast speed mode immediately.



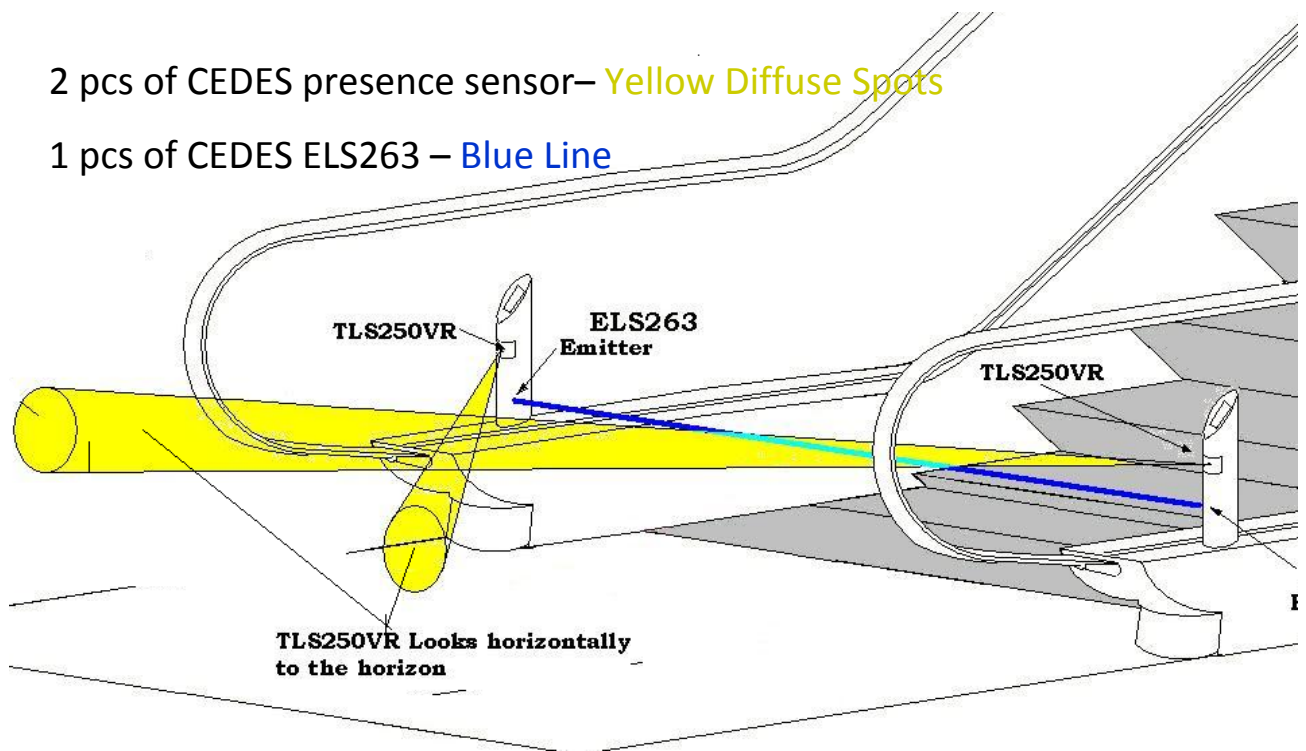


EASS-R450
CEDES Asia Pacific Region- Singapore

EASS-R450 Triple Detection at one Entry



- 2 pcs of CEDES presence sensor— Yellow Diffuse Spots
- 1 pcs of CEDES ELS263 – Blue Line



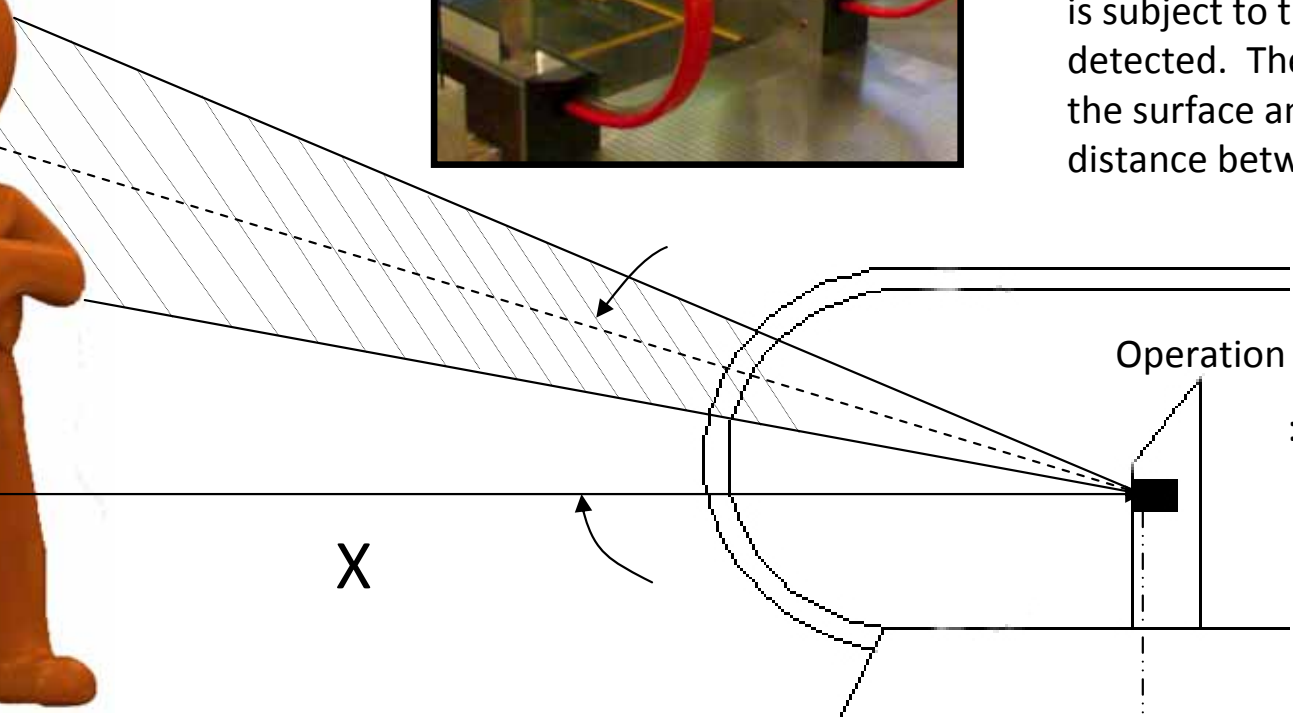
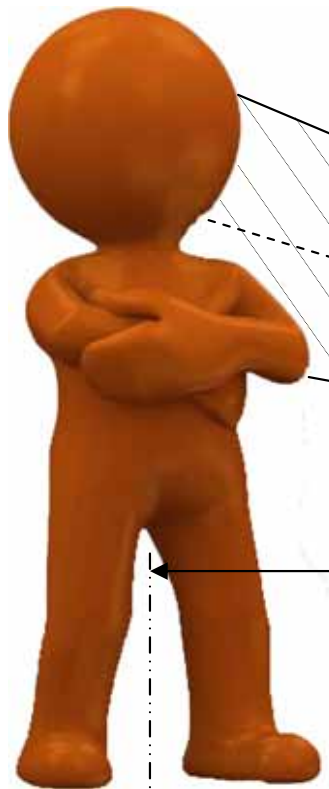
TLS250VR Looks horizontally to the horizon



EASS-R450



- a) CEDES presence sensor operating range up to 6m which can be adjusted for each application using potentiometer
- b) It is important to note that the operating range is subject to the reflectivity of the object being detected. The amount of light is dependent of the surface and color of the object as well as the distance between the object and the sensor



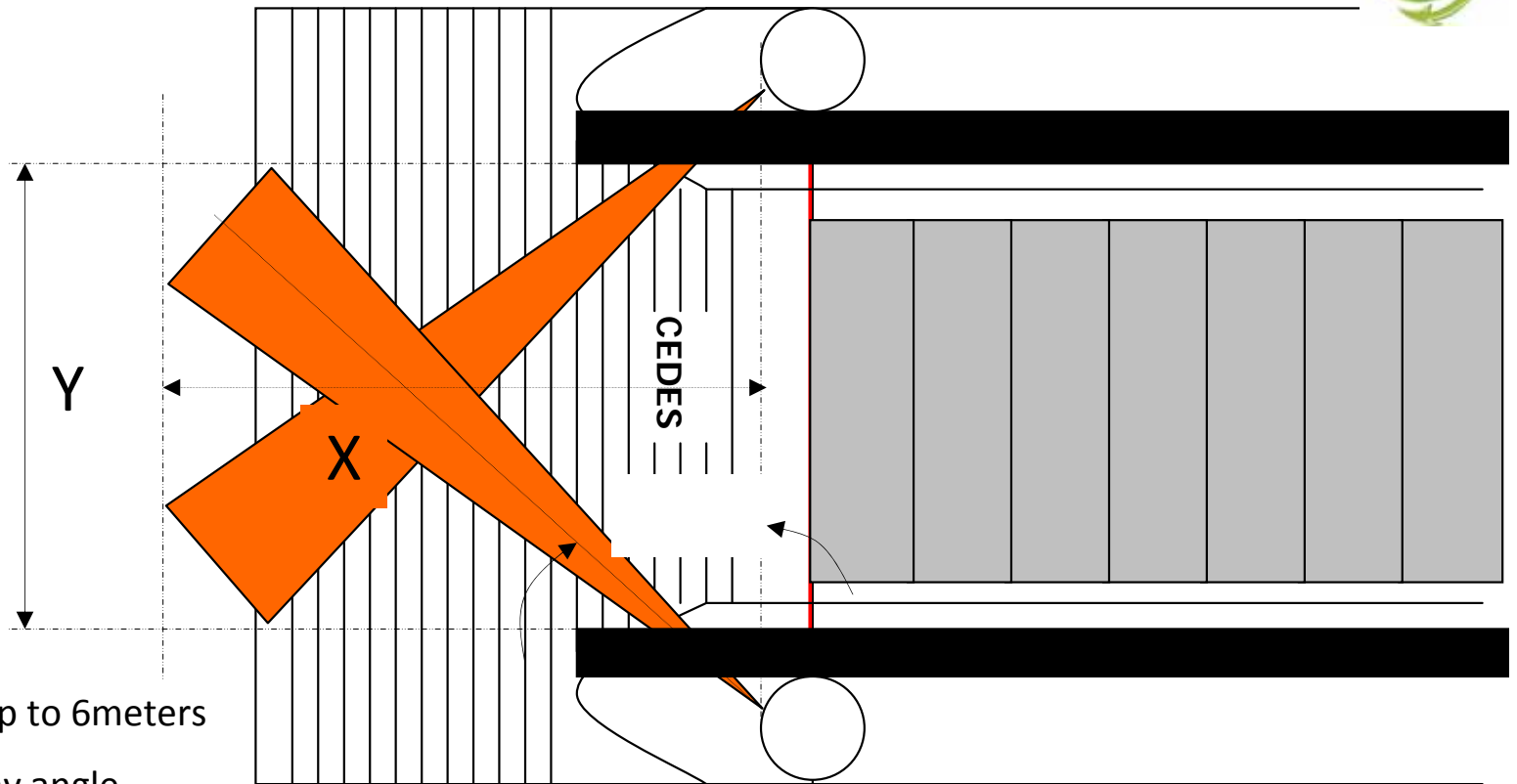
Operation Range X : adjustable up to 6meters
 : Very Easy adjustable for any angle





EASS-R450
CEDES Asia Pacific Region- Singapore

EASS-R450



Operation Range X : adjustable up to 6meters

: Very Easy adjustable for any angle

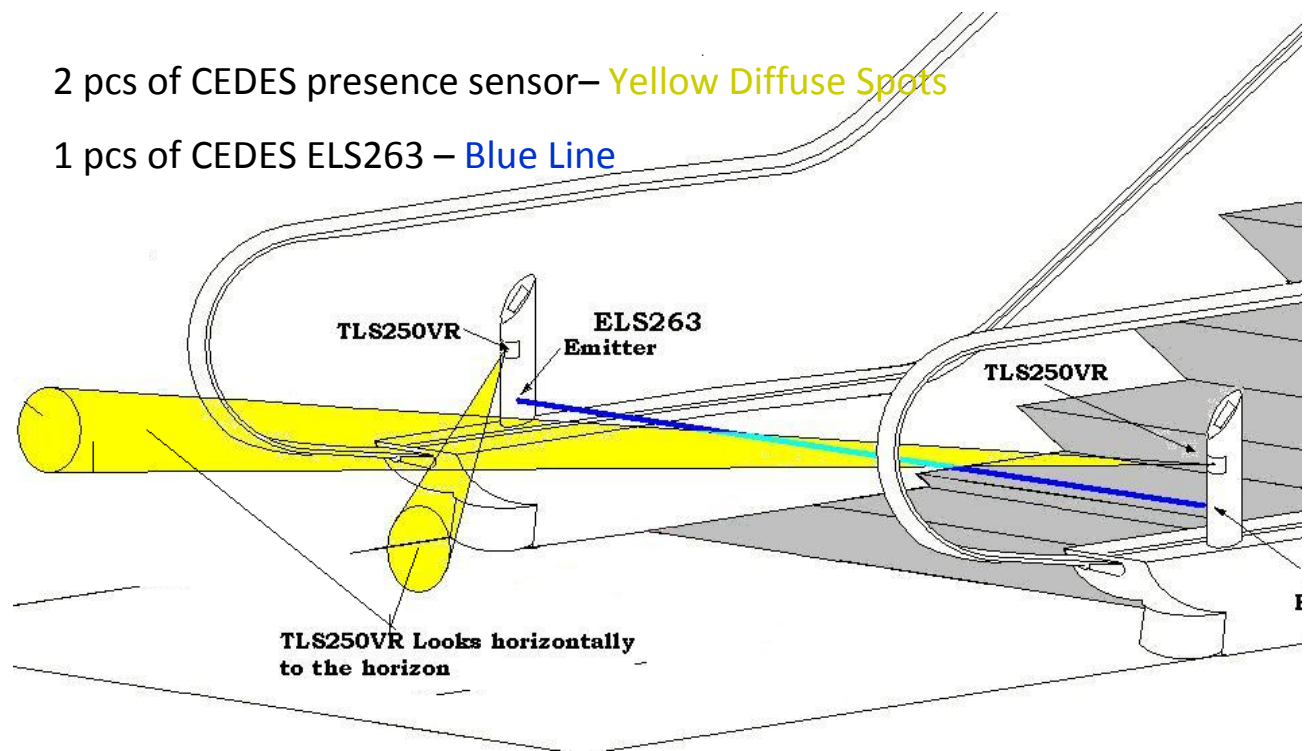


EASS-R450-T3
CEDES Asia Pacific Region-Singapore

EASS-R450-T3 Triple Detection with BIG Display



- 2 pcs of CEDES presence sensor— Yellow Diffuse Spots
- 1 pcs of CEDES ELS263 – Blue Line

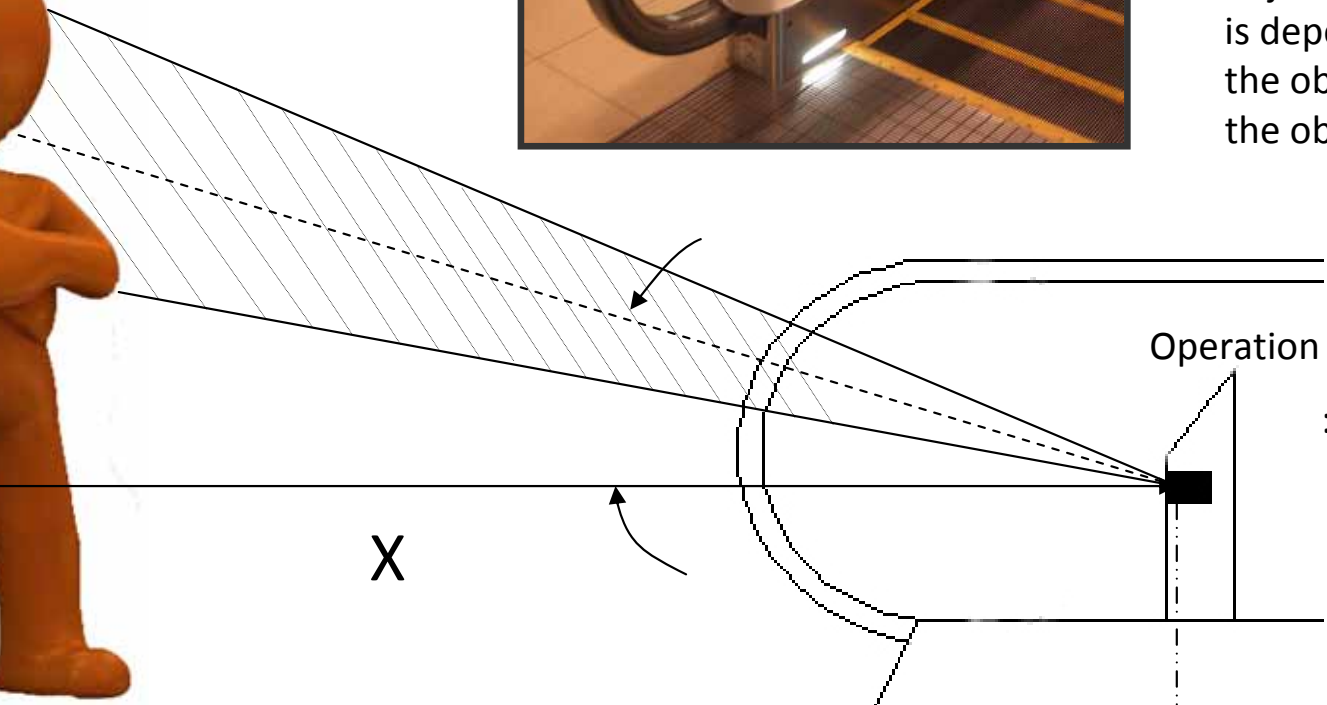




EASS-R450-T3



- a) Cedes presence sensor operating range up to 6m which can be adjusted for each application using potentiometer
- b) It is important to note that the operating range is subject to the reflectivity of the object being detected. The amount of light is dependent of the surface and color of the object as well as the distance between the object and the sensor.

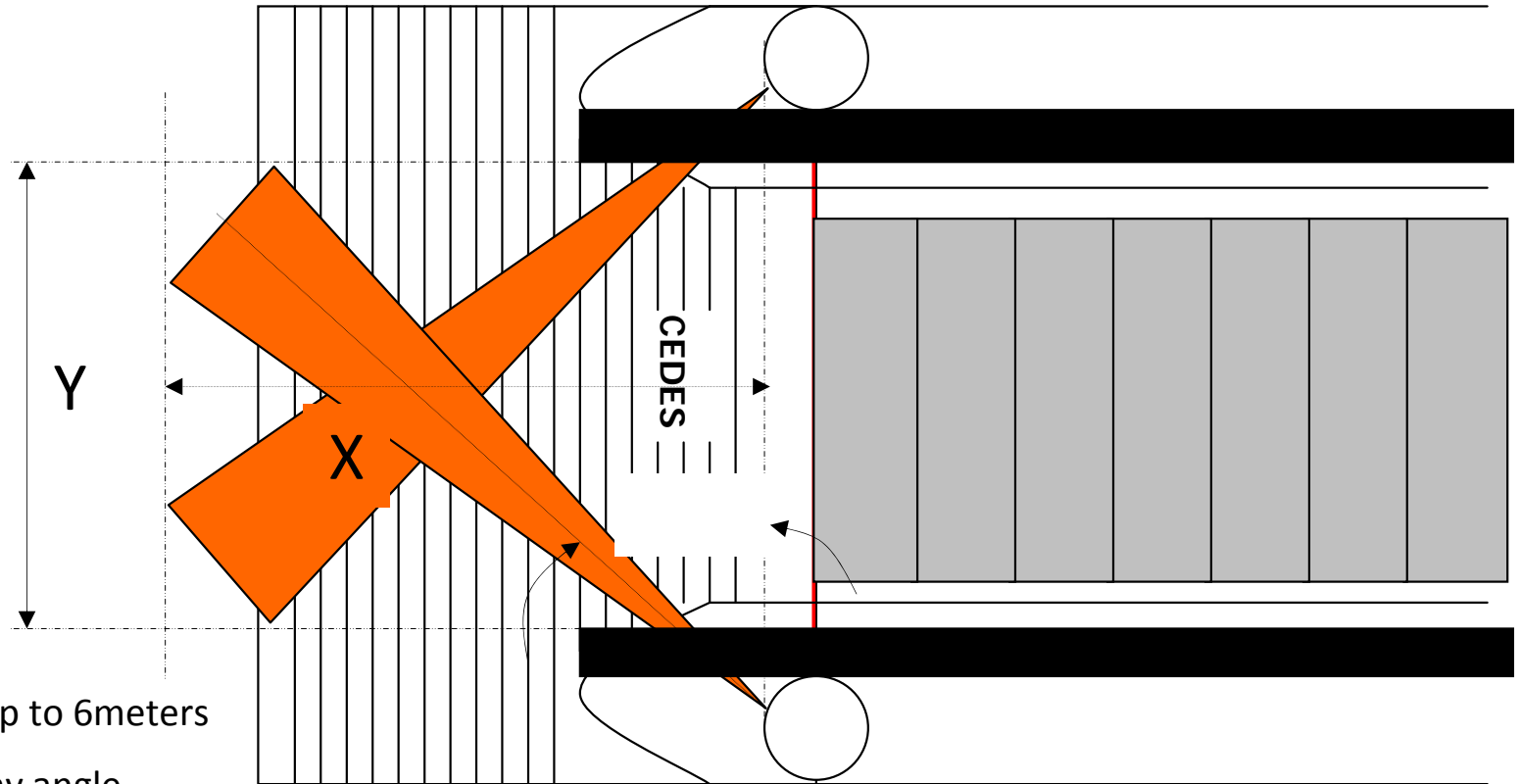


Operation Range X : adjustable up to 6meters
 : Very Easy adjustable for any angle





EASS-R450-T3



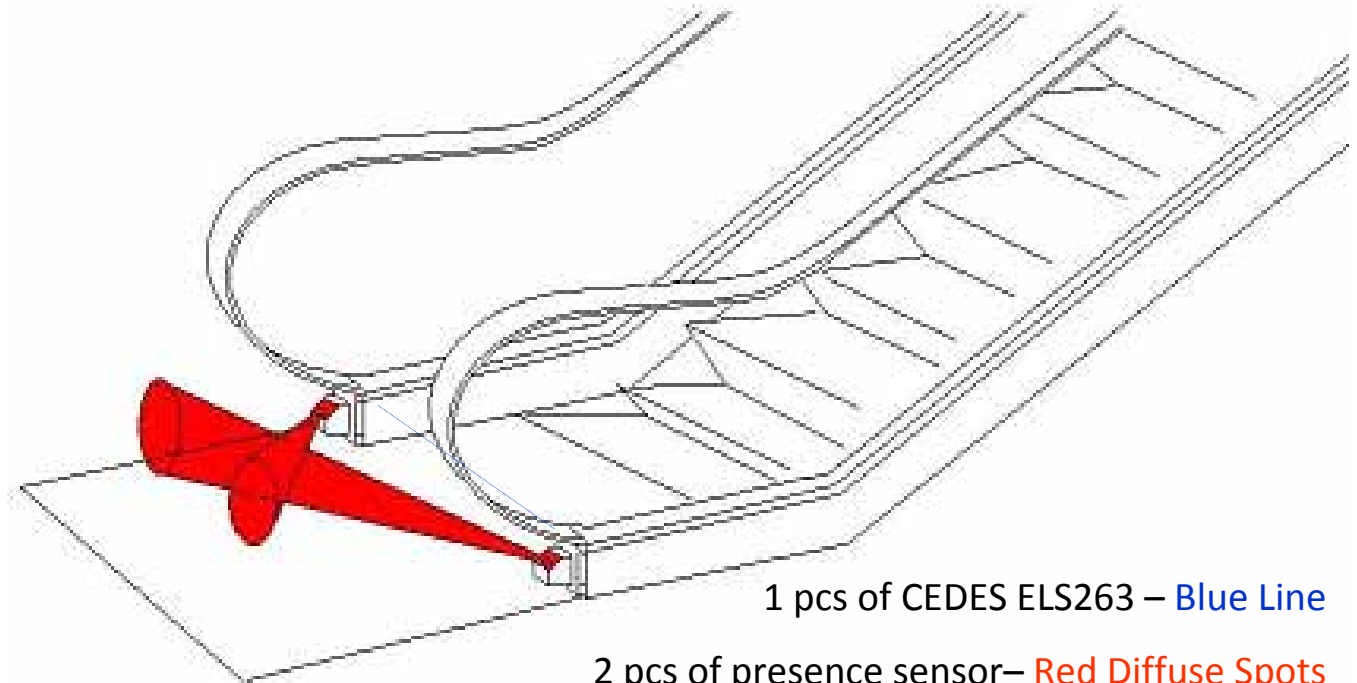
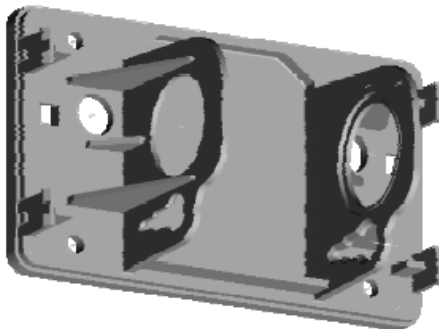
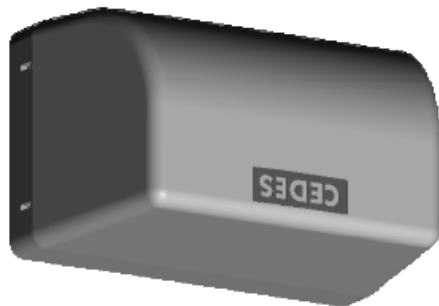
Operation Range X : adjustable up to 6meters

: Very Easy adjustable for any angle



EASS-BHR

Economic Version with Triple Detection



1 pcs of CEDES ELS263 – Blue Line

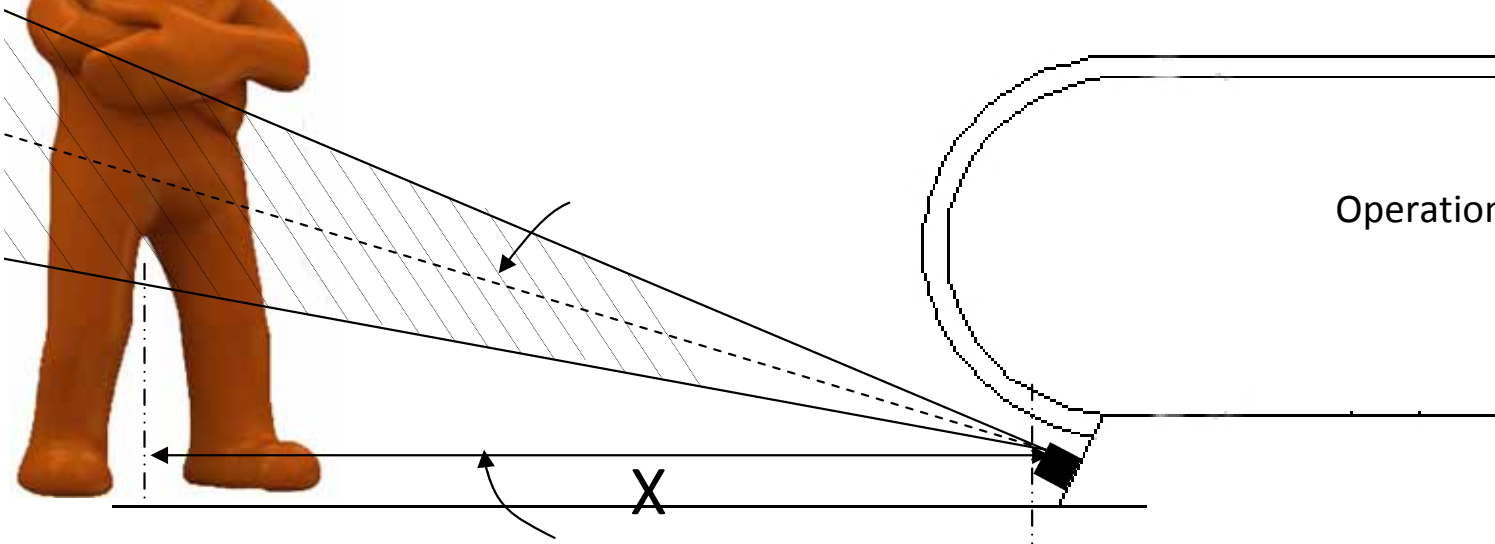
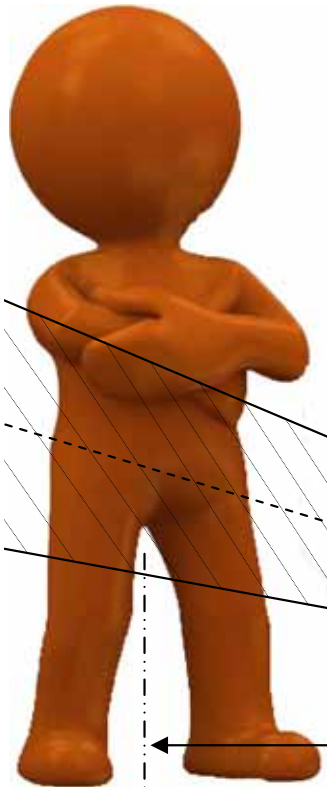
2 pcs of presence sensor – Red Diffuse Spots



EASS-BHR



- a) Cedes presence sensor operating range up to 6m which can be adjusted for each application using potentiometer
- b) It is important to note that the operating range is subject to the reflectivity of the object being detected. The amount of light is dependent of the surface and color of the object as well as the distance between the object and the sensor.

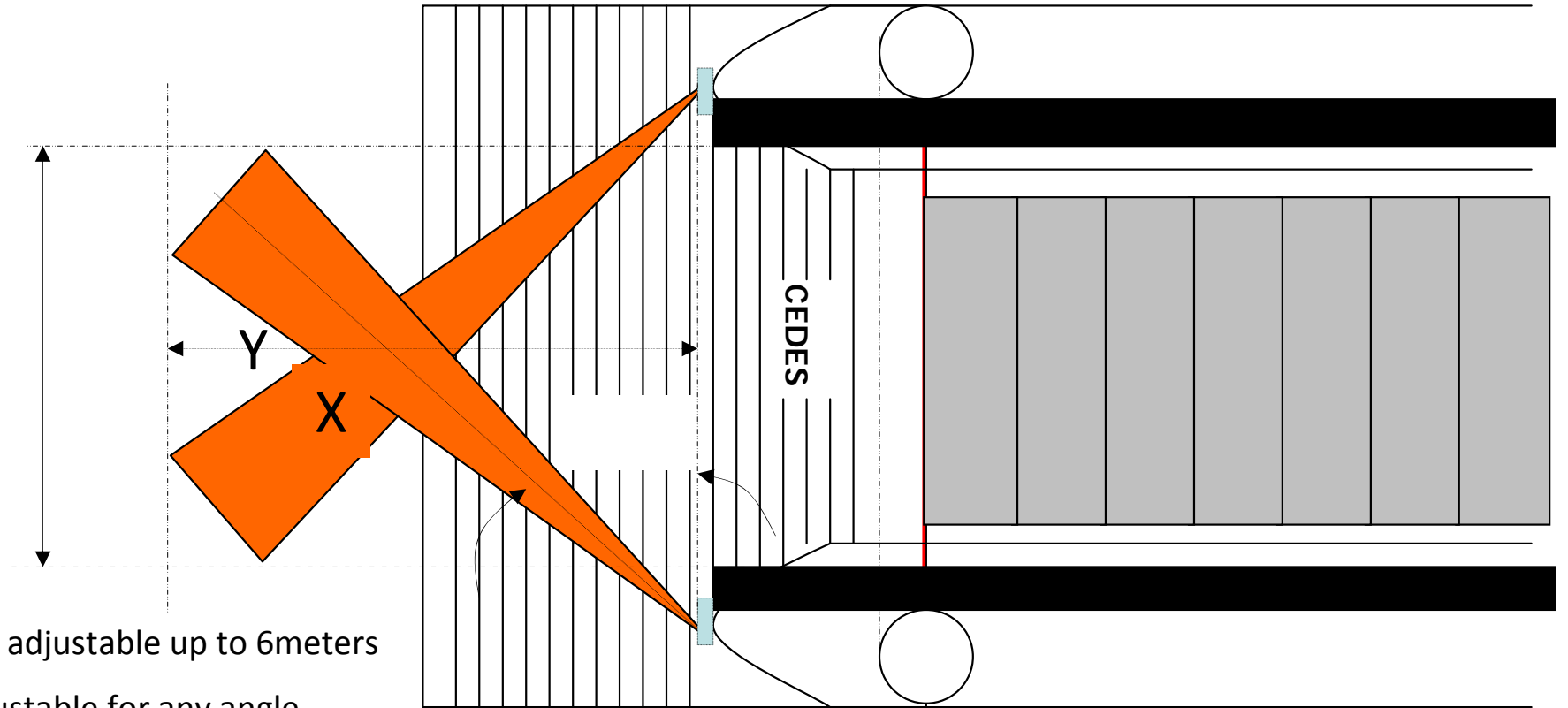


Operation Range X : adjustable up to 6meters
 : Very Easy adjustable for any angle





EASS-BHR



Operation Range X : adjustable up to 6meters

: Very Easy adjustable for any angle